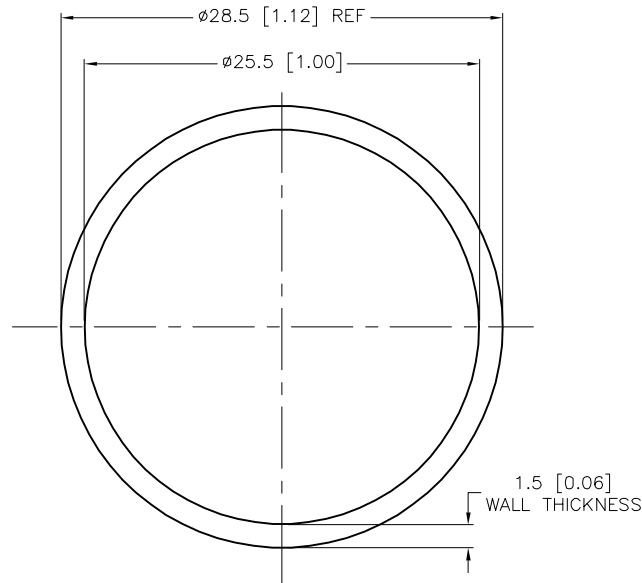


SPECIFICATIONS

MATERIAL	60 DURO TRANSLUCENT SILICONE RUBBER
TEMPERATURE RATING	232°C (450°F)
TENSILE STRENGTH	1275 PSI
ELONGATION	400%
TEAR STRENGTH, DIE B	100 PPI



SOURCE DRAWING - FOR REFERENCE ONLY

NOTES:

1. 15 METER SPOOL OF SILICONE TUBING.

RELATED DOCUMENTS		3RD ANGLE PROJECTION		THIS DRAWING IS CONFIDENTIAL AND THE PROPERTY OF TURCK INC. USE OF THIS DOCUMENT WITHOUT WRITTEN PERMISSION IS PROHIBITED.		3000 CAMPUS DRIVE MINNEAPOLIS, MN 55441 1-800-544-7769 (763) 553-7300 (763) 553-0708 fax www.turck.us	
1. 2. 3. 4.							
MATERIAL		DRFT *CK		DATE 09/01/10		DESCRIPTION	
SEE SPECIFICATIONS		APVD		SCALE 1=.5		ST ID 1-INCH-15M	
FINISH		UNIT OF MEASUREMENT		IDENTIFICATION NO.		REV	
SEE SPECIFICATIONS		MILLIMETER [INCH]		A9644		A	
		CONTACT TURCK FOR MORE INFORMATION		DO NOT SCALE THIS DRAWING		FILE: A9644 SHEET 1 OF 1	

A	DRAWING RELEASE	*CK	09/02/10	
REV	DESCRIPTION	BY	DATE	ECO NO.